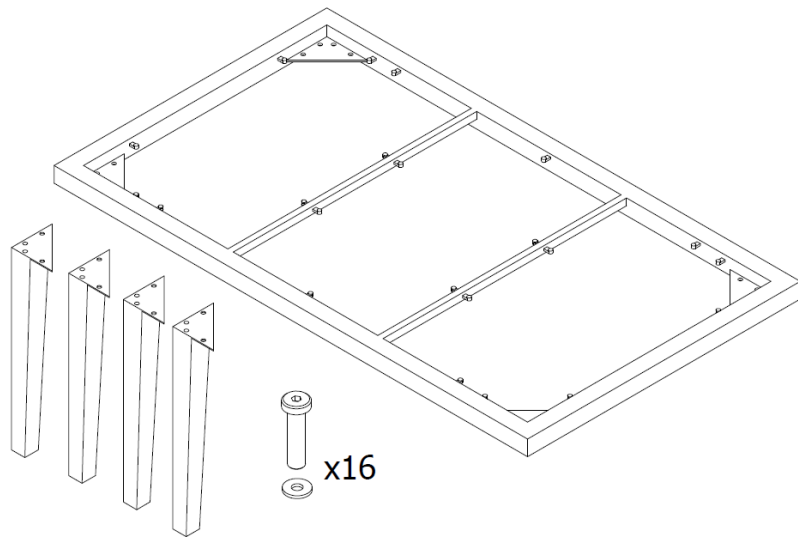


Dining Table Assembly Instructions

Dining table frame and glass tops will be shipped in two separate boxes. Please take precaution when dealing with glass and sharp objects.

Parts Included:

- 1 - Table Top Frame
- 3 - Glass Top
- 4 - Table Leg
- 16 - Washer & Screw
- 1 - Allen Wrench

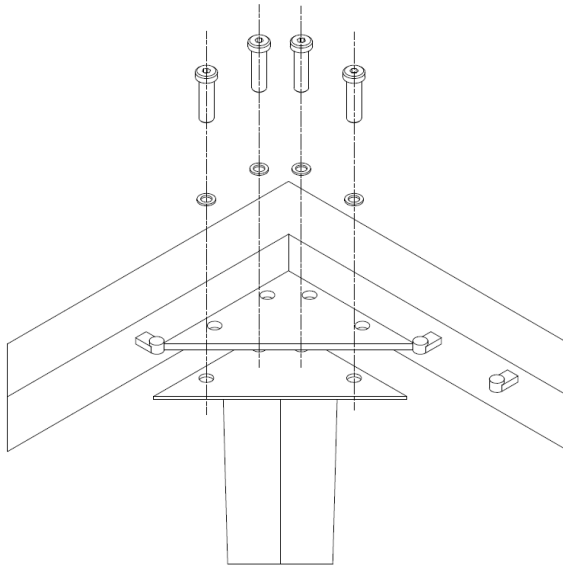


1. Invert table top frame to the upright position with weaved wicker showing on top.



Top side of frame

- Align table leg to the corner plate of the table top frame. Place washers and tighten the screws using the provided Allen wrench.



- Place glass top into the allotted slot on the wicker frame. Glass should be placed on top of rubber stoppers in order to prevent damage.

